

Automatic Self Cleaning Filter



industry

Automotive, Aviation, Ballast treatment, Electronics, Food & Beverage; Mining, Oil & Gas, Petrochemical, Power Generation, Pulp & Paper



municipal

Potable Water, Waste Water, Desalination, Brackish Water, High rise buildings, Pre-filtration to Membranes



irrigation

Agriculture, Golf & Turf, Aquaculture, Green Houses



SUN

Water Filtration Systems.



Automatic Self Cleaning Filter

DESCRIPTION

Body Material: PA6 GFR30

SDF – Code: Self Cleaning Disc Filter.

HDF – Code: Helix Disc Filter.

DSDF – Code: Double Self Cleaning Disc Filter.

DHDF – Code: Double Helix Disc Filter.

Filter connection type: BSP - NPT Grooved - Victolic Coupling

Screen Material: Polypropylene (PP)

Maximum Working Pressure: 10 Bar (145 Psi)

Minimum Output Pressure: 2 Bar (29 Psi)

Filtration size: Max. 200 μm - Min. 10 μm

Maximum Working Temperature: 60 °C (140 F)

Back Flushing Type: Time and / or Pressure Differential

Back Flush Control System Electronic: Programmable Control Unit (PLC) 24VDC to 220V AC

Filtration Degree: 10-200 Micron (μ)

Clamp material: PA6 GFR30 - ST37-2 Galvanized Coating - SS 304L Quality Chrome Steel

Metal equipment in contact with liquid: SS316L Quality Chrome Steel

High performance filtration in pressurized lines.

100% Backwash performance during backwash.

Backwash time is 5-10 seconds.

Pressure loss of 0.2 bar at maximum flow.

200 Micron Filtration surface area: 1550 – 1800 – 3100 – 3600 – 5700 - 6200cm²

130 Micron Filtration surface area: 1550 – 1800 – 3100 – 3600 – 5700 - 6200cm²

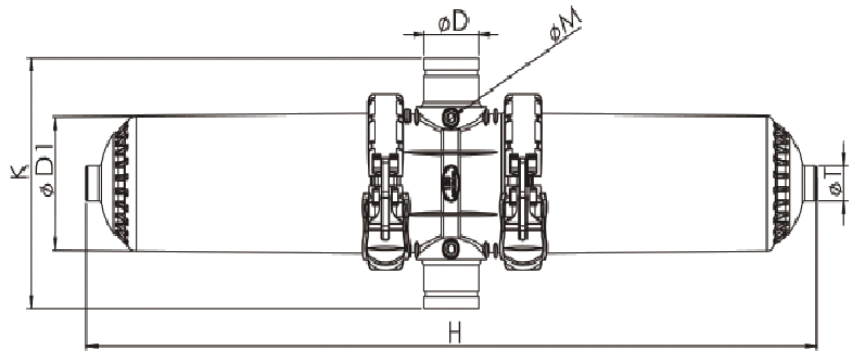
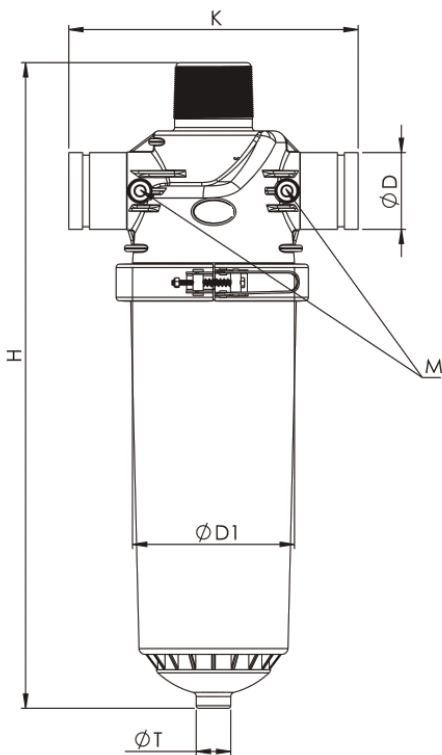
100 Micron Filtration surface area: 1550 – 1800 – 3100 – 3600 – 5700 - 6200cm²

50 Micron Filtration surface area: 1550 – 1800 – 3100 – 3600 – 5700 - 6200cm²

20 Micron Filtration surface area: 1550 – 1800 – 3100 – 3600 – 5700 - 6200cm²

10 Micron Filtration surface area: 1550 – 1800 – 3100 – 3600 – 5700 - 6200cm²

Automatic Self Cleaning Filter



Filter model no	(D) In-out diameter (DN)	Micron (μ)	D1 (mm)	WEIGHT (Kg.)	H (mm)	K (mm)	M (inch)	T (inch)	Waste water (L/S)	Filtering capacity (m3/h)	Filtration surface area (cm2)
SDF 50	50	100	190	9,7	750	340	1/4	3/4	5	25	1550
HDF 50	50	100	190	9,5	750	340	1/4	3/4	5	35	1800
DSDF 80	80	100	190	16,8	1200	340	1/4	3/4	10	50	3100
DHDF 80	80	100	190	13,6	1200	340	1/4	3/4	10	60	3600
DSDF100	100	100	190	16,9	1200	340	1/4	3/4	10	60	3100
DHDF100	100	100	190	13,9	1200	340	1/4	3/4	10	80	3600
DSDF150	150	100	245	33	1660	460	1/4	1	14	180	5700
DHDF150	150	100	245	33	1660	460	1/4	1	14	180	6200

